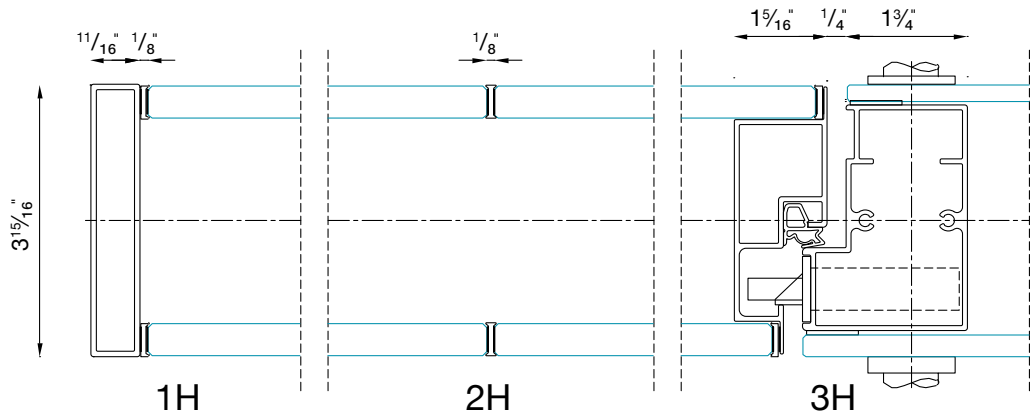
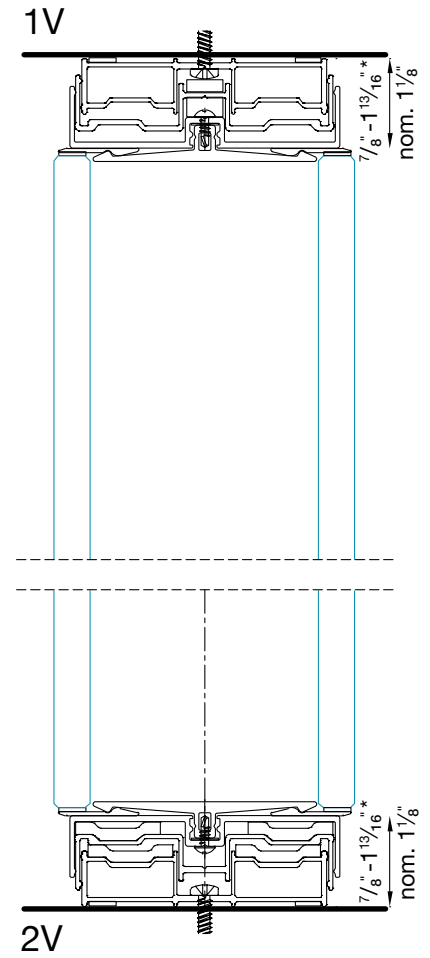
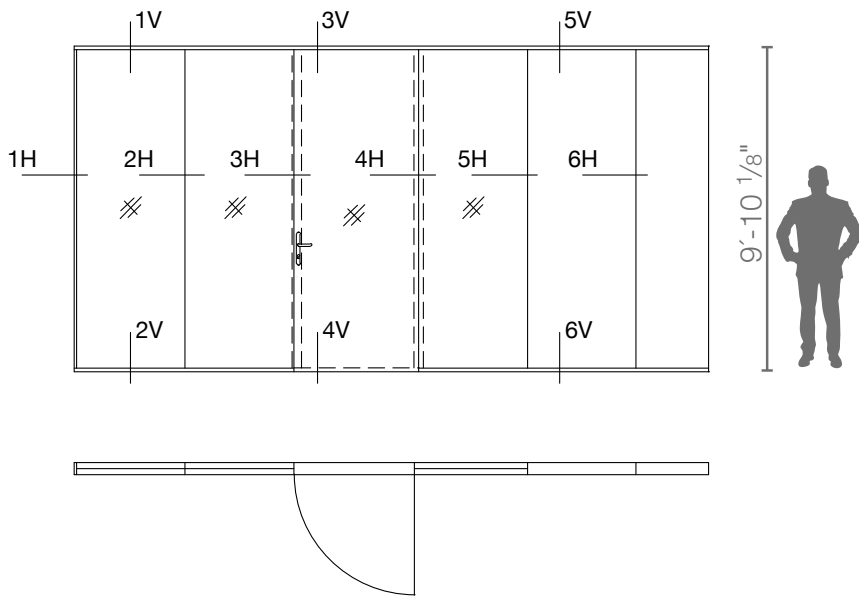
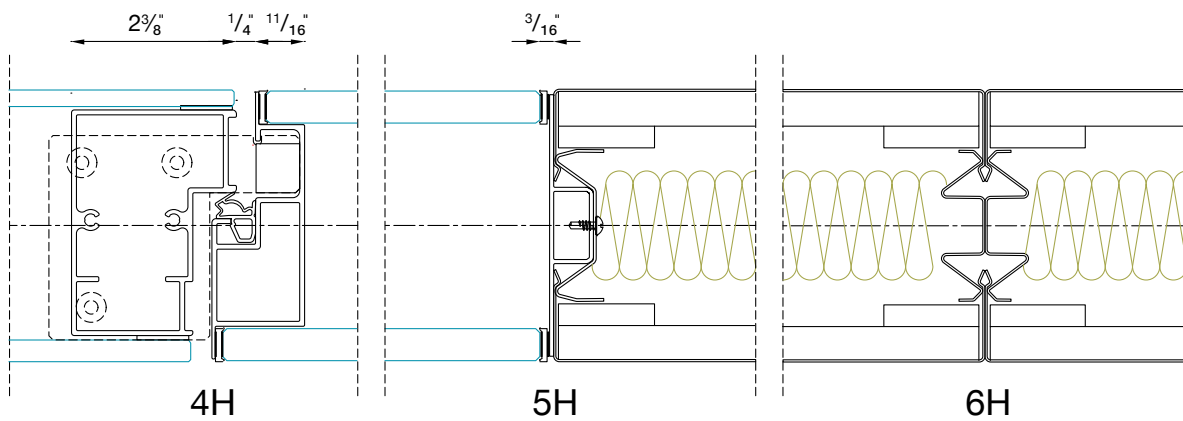
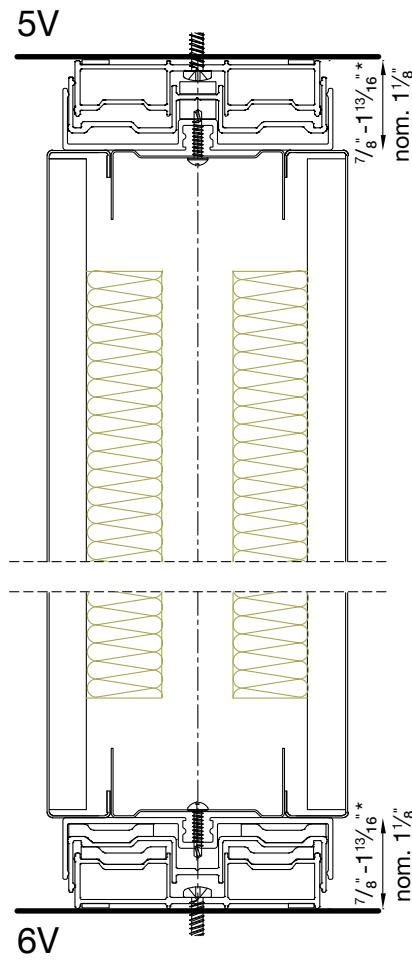
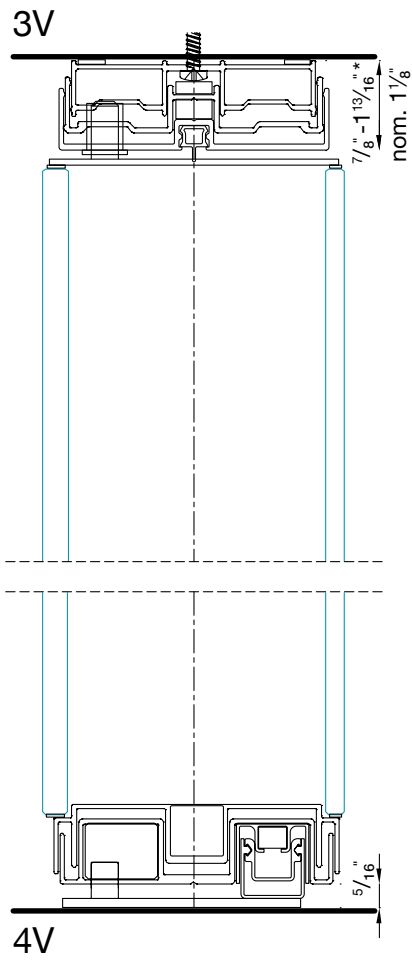


* Deviations of nominal sizes are optional. Standard tolerance +/- mm on nominal size.





* Deviations of nominal sizes are optional. Standard tolerance +/- mm on nominal size.